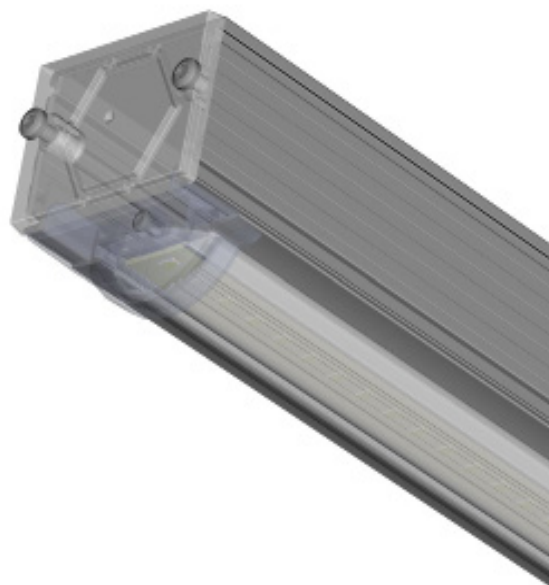
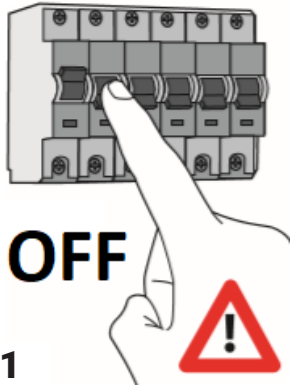


INSTALLING RENOFIT UNIT

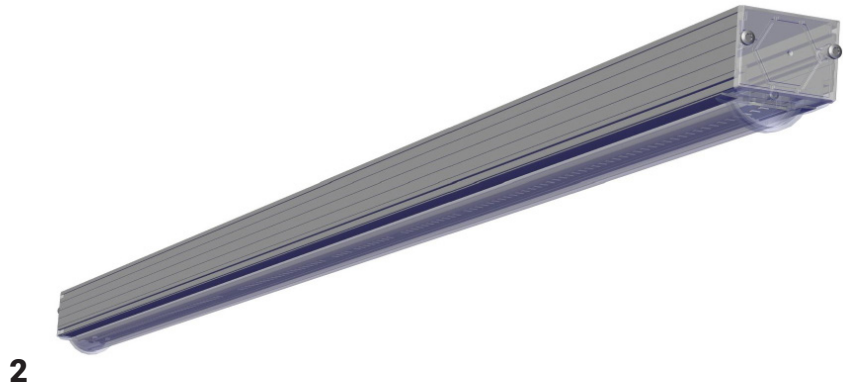
This manual is for usage with shown product family on this page in IP20-IP40 specifications.

Renofit

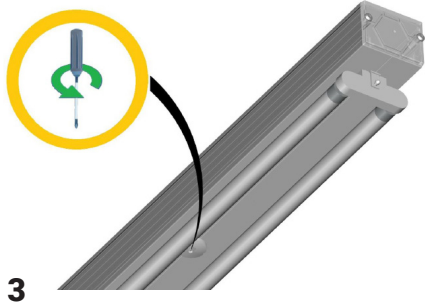




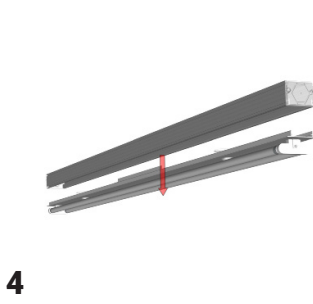
1



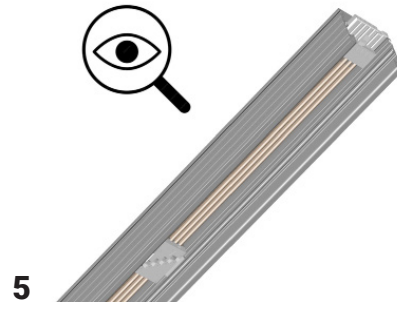
2



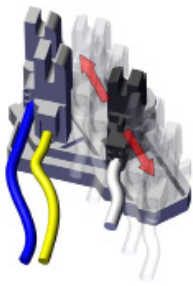
3



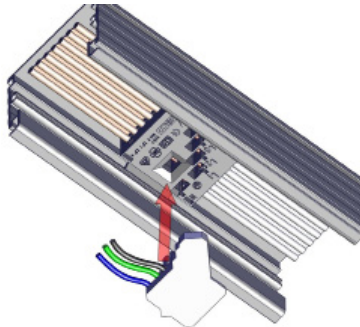
4



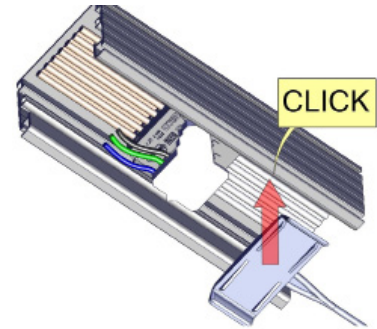
5



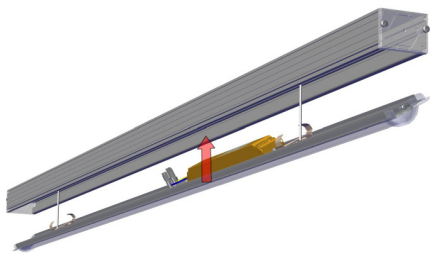
6



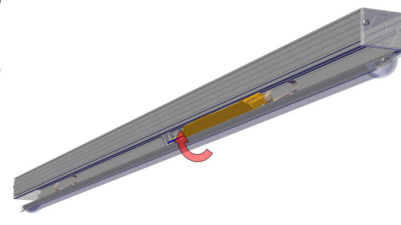
7



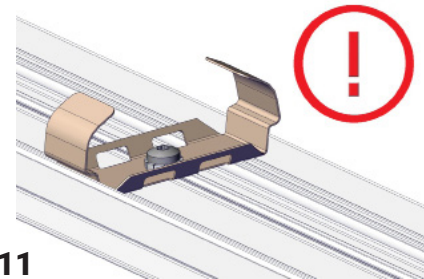
8



9



10

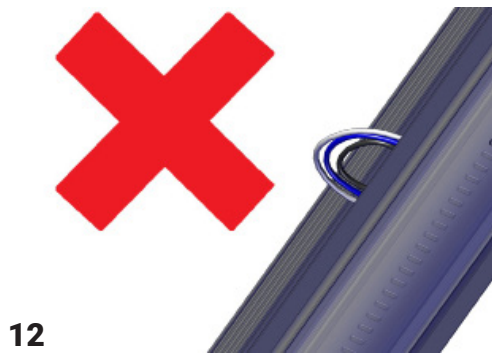


11

1 Disconnect the mains before operating the linear lighting system.
 2 Type of profile may vary.
 3 Turn the fixture plug anti clockwise.
 4 Remove and disconnect the CFL unit.
 5 Check if the profile and flat cable still comply.

6 Make sure poles and wiring are in correct position.
 7 Insert connector to the flat cable.
 8 Press and mount the fallout safety clip into the profile.

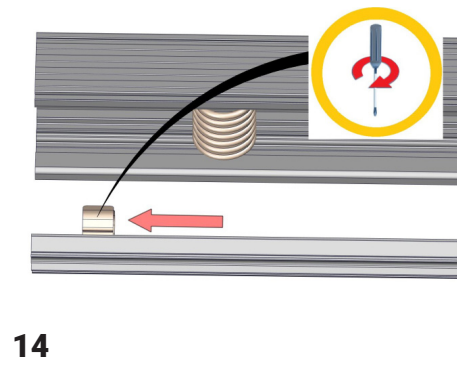
9 Fit the unit onto the profile under an angle.
 10 Turn, press and firmly 'click' the unit into the profile.
 11 **Caution:** Bracket may contain sharp edges.



12



13



14

- 12 **Caution:** Make sure wiring doesn't get stuck between the unit and the profile and is placed properly inside the linear lighting system.
- 13 **Caution:** Make sure the spring is not at the same position of the curl in the flat cable.

- 14 **Caution:** If it does, moves the spring next to the curl.

GENERAL DISCLAIMERS

Product specifications

- Ambient working range -25 °C+35 °C (-13 °F - 95 ° F)
- Storage -25 °C+35 °C (-13 °F - 95 ° F)
- Rated voltage range 220 V~240 V~ 50/60 Hz
- Relative humidity 10 %-85 % RH - not condensing
- Cable specification 7&3 pin suitable for solid wiring (Ø1.5-2.5 mm²)

Important

- Caution, risk of electric shock!
- Hot plug-in is not an option and may cause damage to the luminaire.
- Disconnect the mains before installing or modifying this product.
- Installation and commissioning of the luminaire must be performed by a qualified electrician in accordance with all national and/or local regulations.
- Install all individual light lines before connecting to the grid.
- NEVER install this product without reading this installation guide.
- NEVER stare into this product when switched on.
- NEVER modify or alter this product, this will result in loss of warranty.
- Read the product labels carefully for all product details.
- This product is not suitable for signal functions, in case of emergency function see next paragraph.
- This product is not suitable for outdoor use.
- This product is not suitable for off-grid power solutions.
- On this product no condensation is allowed during storage, operation and application.
- When operating the electrical connections and connecting to the mains or grid always work according to standard NEN 1010 and NEN 3140.

Note

- A Veko linear lighting system is considered as a single luminaire (a 'closed' system) and not an electrical installation at itself.
- The light source of this product is custom made and shall only be replaced by the manufacturer or his service agent.
- At end of life, the whole product needs to be replaced.
- This product is not intended for household usage.
- Take care with the usage of power cables and prevent damage to the cables when installing them.
- Avoid touching the product if active, it might cause harm due to heat
- When the product is unpacked, take care of placement. Do not let the product rest on top of the optics, damage to optics will result in light output loss.
- The manufacturer is not liable for damages resulting from improper or faulty installation or operation from unauthorized modifications to the luminaire.
- Specifications are subject to change without notice! If you have questions please contact the manufacturer.
- Take appropriate precautions: wear gloves.
When adjusting the length of the light lines between the walls, an expansion coefficient of 24×10^{-6} (2.4 mm per 100 m per °C) should be taken into account.
- Keep at least one copy of this document as future reference material.

Cleaning

- ALWAYS switch off the power to the product before cleaning.
- This product can be cleaned with a damp cloth.
- Choose cleaning materials which are suitable for plastic.
- Do not use coarse or rough cleaning tools on this product.
- Do not use bleach or solvents on this product.
- Do not use any type of high pressure equipment to clean this product.
- Do not submerge this product.