

DUNCAN LINEAR LED

IP65

CE  05 LM-79 LM-80



The Duncan IP65 is the ultimate solution for all rooms that place high demands on the dust resistance and water resistance of luminaires. What's more, the IP65's completely new design focuses on easy maintenance. The luminaire completes the successful Veko Duncan range.

The special tapered design of the luminaire optimally deflects water from the LED fixtures. The LED fixtures also have a smooth finish with limited edges and seams. Together with the blind covers they are fully recessed into the light line. This is more visually appealing, but also prevents dust accumulation and makes the fixtures more resistant to dirt and water. As such, the IP65 can also be used in critical environments such as the food processing industry, which has to comply with the high HACCP standards for food safety and hygiene.

For extra energy savings, the Duncan can also be linked to a Light Management System, for an even more efficient control of the light line. The lighting is delivered almost without any packaging, is 100% recyclable and can be easily refurbished up to 45 years after installation.



CLEVER
SWIFT
SOLID

Duncan - EN v1.2 01/02/23

Technical information

Length	500 mm	1,000 mm	1,500 mm	2,000 mm
Output flux	1,850 - 17,000 lm			
Wattage	11 - 122 W			
Voltage	220 - 240 V			
Frequency	50 ÷ 60 Hz			
Power factor	>0.9			
Drivers	Signify or Osram			
Operational temperature*	-20 °C to +35 °C			
Weight	Approx. 3 kg/m including profile and accessories			
Application	Industrial areas, coldstores and pools			
Installation height	2 - 20 m			
Colour temperature	Natural white (\pm 4,000 K) On request other colour temperatures possible (3,000 - 6,500 K)			
Colour Rendering Index (CRI)	>80 (>90 possible)			
Lens options	Narrow, Wide, Lambertian			
Cover material	PMMA			
Material	Untreated aluminium			
Colour	Untreated aluminium, anodized and RAL colours			
Impact resistance	IK07			
IP code	IP65			
Options	DALI, CLO, corridor, centralized and decentralized emergency lighting			
Warranty	L85B10 / at least 5 year warranty / Ta 35 °C			
Expected life span	It is possible to reach 100,000 hours			
BREEAM	Yes			

* Fixtures equipped with decentralized emergency lighting batteries have an operational temperature of +5 °C to +25 °C.

On the initial performance, a tolerance of \pm 10% is applicable, according to IEC. Technical data subject to change.

CLEVER
SWIFT
SOLID

Duncan - EN v1.2 01/02/23

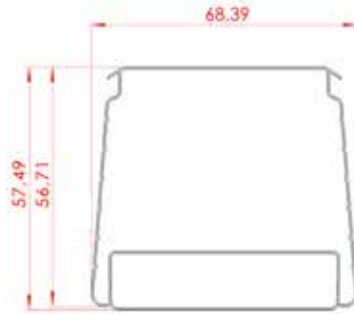
DUNCAN NARROW



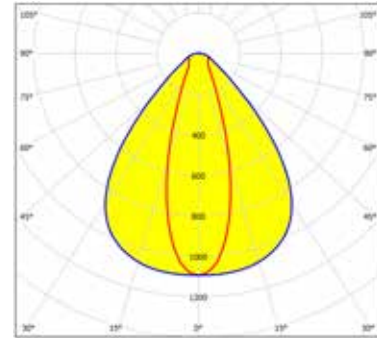
Luminaire



Dimensions



Polar diagram



Product code IP65	Length (mm)	Wattage (W)	Output flux (lm)	Lumen/Watt
LWDx-N325	500	11 - 62	1,850 - 7,800	127 - 162
LWDx-N312	1,000	11 - 62	1,850 - 7,800	127 - 162
LWDx-N315	1,000	11 - 106	1,900 - 13,900	132 - 164
LWDx-N352	1,500	11 - 92	1,850 - 11,900	129 - 163
LWDx-N355	1,500	17 - 122	2,700 - 17,000	140 - 163
LWDx-N362	2,000	11 - 106	1,900 - 13,900	132 - 164

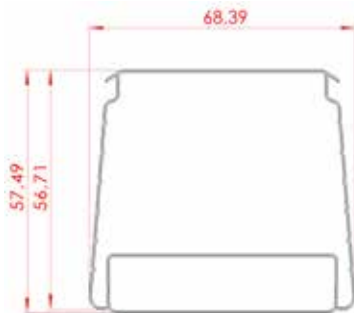
DUNCAN WIDE



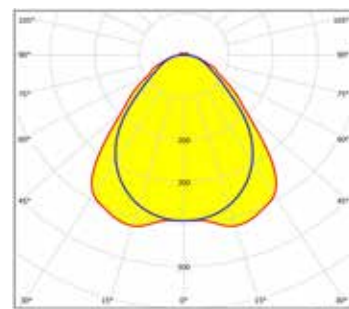
Luminaire



Dimensions



Polar diagram



Product code IP65	Length (mm)	Wattage (W)	Output flux (lm)	Lumen/Watt
LWDx-W325	500	11 - 62	1,850 - 7,700	124 - 158
LWDx-W312	1,000	11 - 62	1,850 - 7,700	124 - 158
LWDx-W315	1,000	11 - 106	1,850 - 13,500	129 - 161
LWDx-W352	1,500	11 - 92	1,850 - 11,500	126 - 160
LWDx-W355	1,500	17 - 122	2,650 - 16,700	137 - 159
LWDx-W362	2,000	11 - 106	1,850 - 13,500	129 - 161

On the initial performance, a tolerance of $\pm 10\%$ is applicable, according to IEC. Technical data subject to change.

CLEVER
SWIFT
SOLID

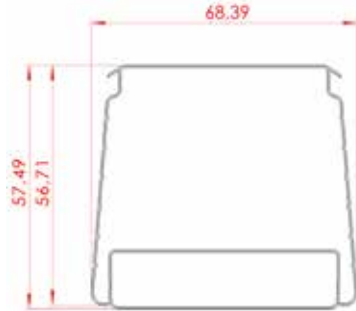
DUNCAN LAMBERTIAN



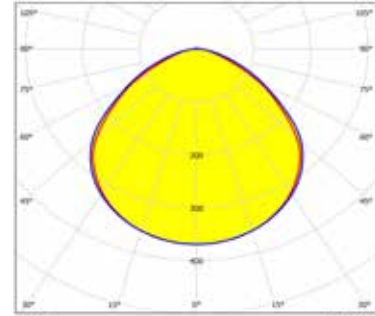
Luminaire



Dimensions



Polar diagram



Product code IP65	Length (mm)	Wattage (W)	Output flux (lm)	Lumen/Watt
LWDx-L325	500	11 - 62	1,850 - 7,800	127 - 162
LWDx-L312	1,000	11 - 62	1,850 - 7,800	127 - 162
LWDx-L315	1,000	11 - 106	1,900 - 13,900	132 - 164
LWDx-L352	1,500	11 - 92	1,850 - 11,900	129 - 163
LWDx-L355	1,500	17 - 122	2,700 - 17,000	140 - 163
LWDx-L362	2,000	11 - 106	1,900 - 13,900	132 - 164

CLEVER
SWIFT
SOLID