



The LD built-in LED downlights are suitable for universal use and were specially developed for renovation projects. Existing compact fluorescent (CFL) downlights can easily be exchanged for LED lights.

The LD series features a matt facet reflector that generates pleasant, diffuse light. All models are fitted with a separate driver with pull release so that any connection cables can be easily attached (see options Veko driver sets).

### Technical information

<b>Optics</b>	Diffuse
<b>Colour</b>	White
<b>Input</b>	220 - 240 VAC
<b>Colour Rendering Index (CRI)</b>	>80
<b>UGR</b>	25
<b>Colour temperature</b>	3,000 / 4,000 K
<b>On/off cycles</b>	50,000 max.
<b>Colour consistency (SDCM)</b>	3
<b>Dimmable</b>	Optional (DALI)
<b>Impact resistance</b>	IK02
<b>Built-in driver</b>	No
<b>Lifespan</b>	L80B10 at 50.000 hours fixed and 80.000 hours DALI
<b>Warranty</b>	5 years or 25,000 hours

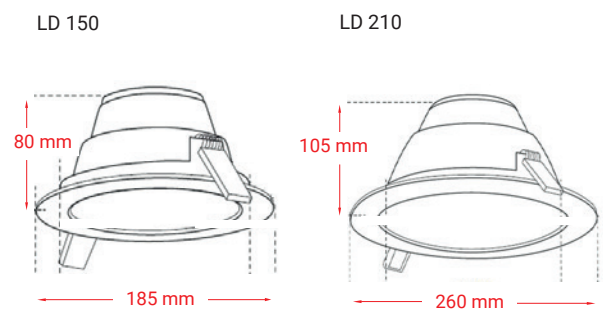
### Versions

VEKO LD Downlights	Built-in (mm)	Wattage (W)	Output flux (lm)	Lumen/Watt
VEKO-LD150-1000-3000	150	10	1.000	100
VEKO-LD150-1000-4000	150	10	1.000	100
VEKO-LD210-2000-3000	210	20	2.000	100
VEKO-LD210-2000-4000	210	20	2.000	100
VEKO-LD150-1000-3000-DALI	150	10	1.000	100
VEKO-LD150-1000-4000-DALI	150	10	1.000	100
VEKO-LD210-2000-3000-DALI	210	20	2.000	100
VEKO-LD210-2000-4000-DALI	210	20	2.000	100

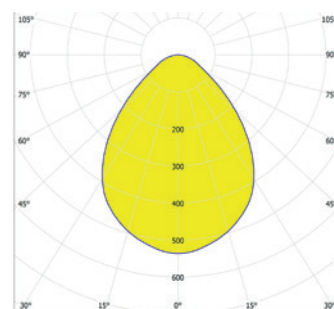
Technical data subject to change.

A Fagerhult Group Company

### Measurements







### Polar diagram



**CLEVER  
SWIFT  
SOLID**

## Accessoires Veko LD Downlights

Veko driver set fixed		Productcode
	• Connecting cord black	Veko-driver-set-downlight-F-01
	• 3 x 0.75 mm <sup>2</sup>	
	• 3 m stucco stripped (earth wire 15 mm longer)	
	• Osram fixed	
Veko driver set fixed		Productcode
	• Connecting cord black	Veko-driver-set-downlight-F-02
	• 3 x 0.75 mm <sup>2</sup>	
	• 3 m stripped Wieland® male GST18/3	
	• Osram fixed	
Veko driver set DALI		Productcode
	• Connecting cord black	Veko-driver-set-downlight-Dd-01
	• 3 x 0,75 mm <sup>2</sup>	
	• 3 m stucco stripped (earth wire 15 mm longer)	
	• Osram DALI	
Veko driver set DALI		Productcode
	• Connecting cord black	Veko-driver-set-downlight-Dd-02
	• 3 x 0.75 mm <sup>2</sup>	
	• 3 m stripped Wieland® male GST18/3	
	• Osram DALI	